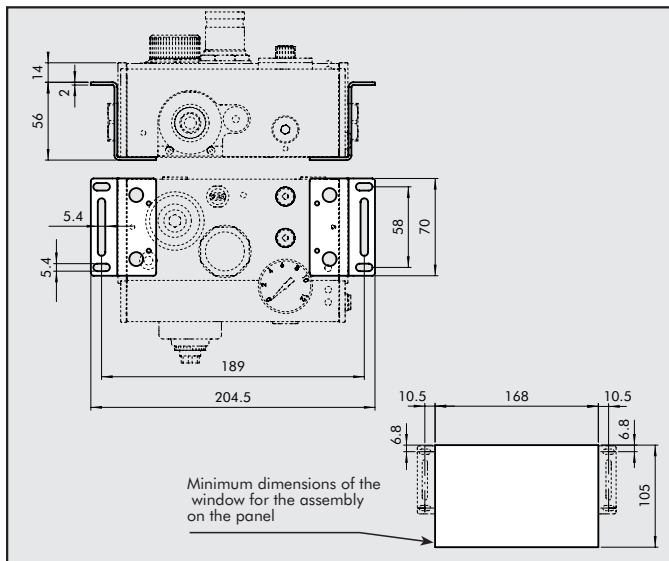
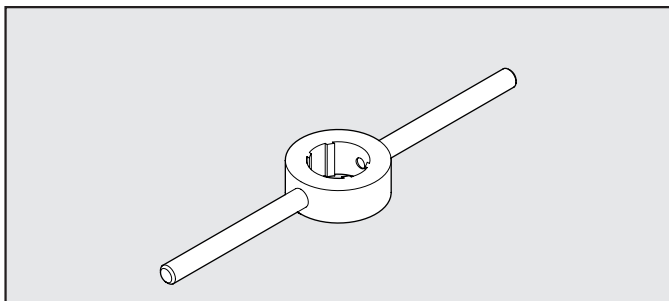


PANEL MOUNTING BRACKETS



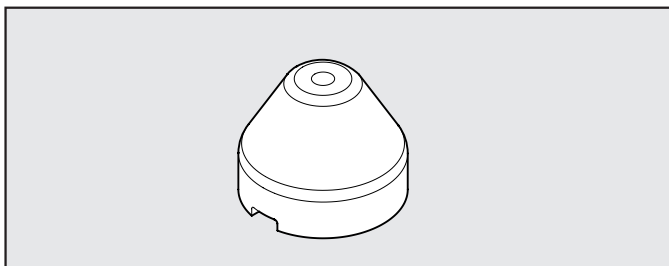
Code	Description
9170401	ACC. KIT - PANEL MOUNTING BRACKETS NB: fixing screws included

COVER DISASSEMBLY WRENCH



Code	Description
9170401	ACC. COVER DISASSEMBLY WRENCH

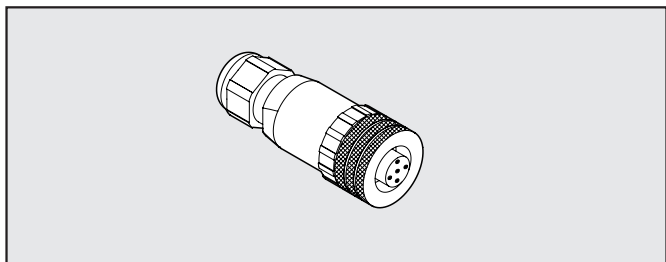
SECURITY KNOB



Code	Description
9200703	ACC. SECURITY KNOB APR/PRESSURE SWITCH

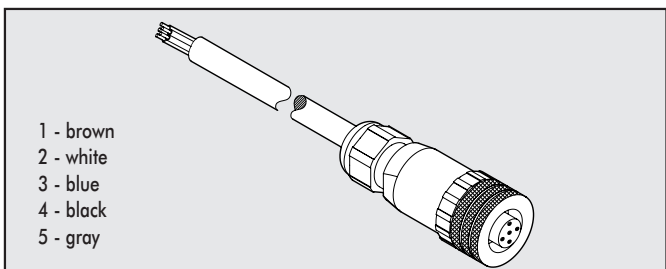
NOTE: Pull outwards to remove the knob from the APR/pressure switch on the unit. Insert the security knob and regulate the APR/ pressure switch. Then press the handle firmly to lock it in position. If the APR/pressure switch needs to be reset, remove the security knob by forcing it laterally with a screwdriver.

STRAIGHT CONNECTOR



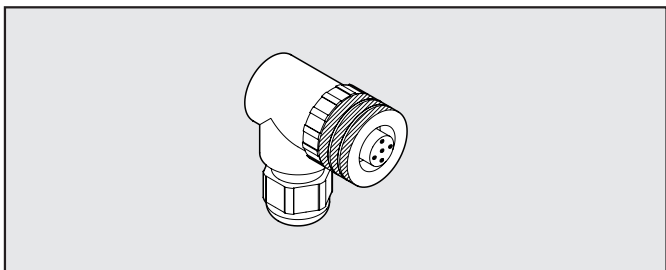
Code	Description
W0970513001	ACC. 5-PIN M12x1 STRAIGHT CONNECTOR

STRAIGHT CONNECTOR WITH WIRE



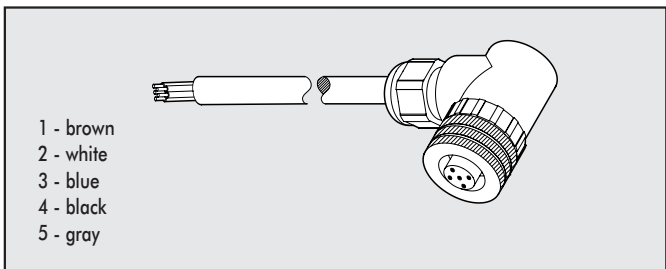
Code	Description
W0970513002	ACC. 5-PIN M12x1 STRAIGHT CONNECTOR WITH WIRE L=5 m

90° CONNECTOR



Code	Description
W0970513003	ACC. M12x1 5-PIN 90° CONNECTOR

90° CONNECTOR WITH WIRE



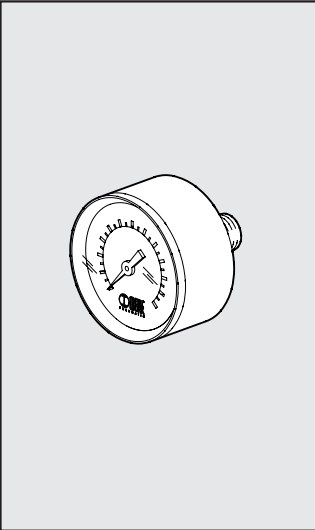
Code	Code
W0970513004	W0970513004

SPARE PARTS



PRESSURE GAUGE

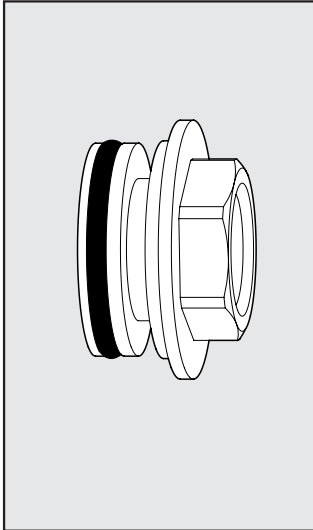
Code Description



- 9700106 ACC. M 39 1/8 0-4
- 9700107 ACC. M 39 1/8 0-12

THREADED PORT

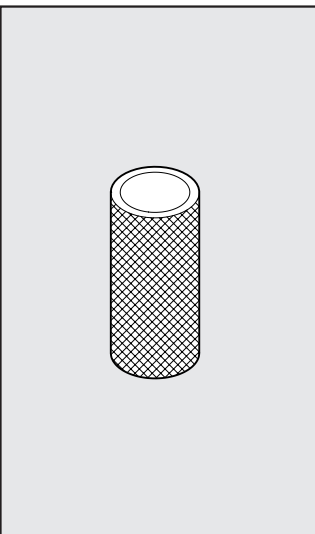
Code Description



- 9232001 1/4" SPARE THR. PORT FOR ONE
- 9232002 3/8" SPARE THR. PORT FOR ONE
- 9232003 1/2" SPARE THR. PORT FOR ONE
- 9232004 3/4" SPARE THR. PORT FOR ONE
- 9232005 1" SPARE THR. PORT FOR ONE

FILTER ELEMENT

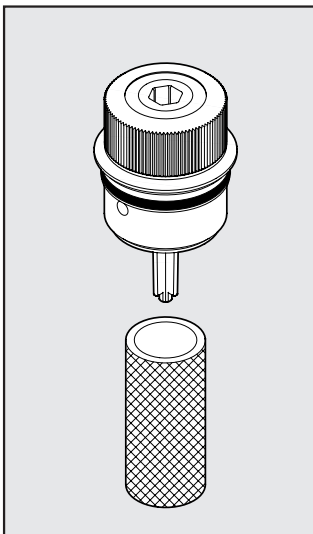
Code Description



- 9251720 SPARE FILTER ELEMENT
5 µm for ONE
- 9251721 SPARE FILTER ELEMENT
20 µm for ONE

FILTER PLUG WITH FILTER ELEMENT

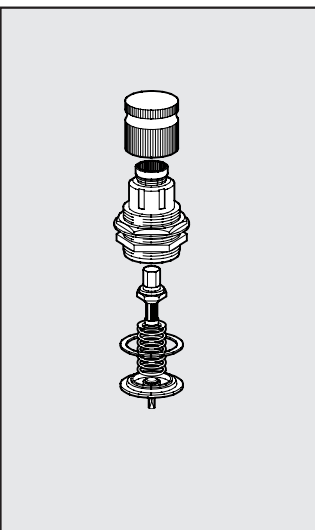
Code Description



- 9251723 SPARE PLUG + FILTER ELEMENT
5 µm for ONE
- 9251724 SPARE PLUG + FILTER ELEMENT
20 µm for ONE

PILOT REGULATOR

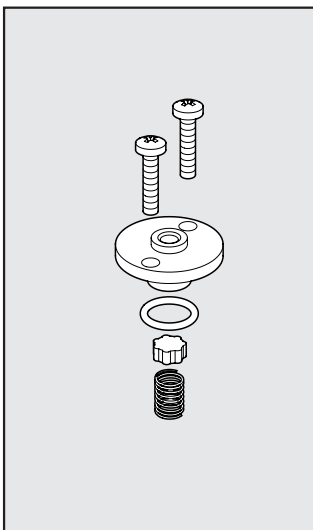
Code Description



- 9250820 SPARE PILOT REG. 0.5÷2 bar
for ONE
- 9250821 SPARE PILOT REG. 0.5÷4 bar
for ONE
- 9250822 SPARE PILOT REG. 0.5÷8 bar
for ONE

POPPET

Code Description



- 9250707 SPARE POPPET for ONE

